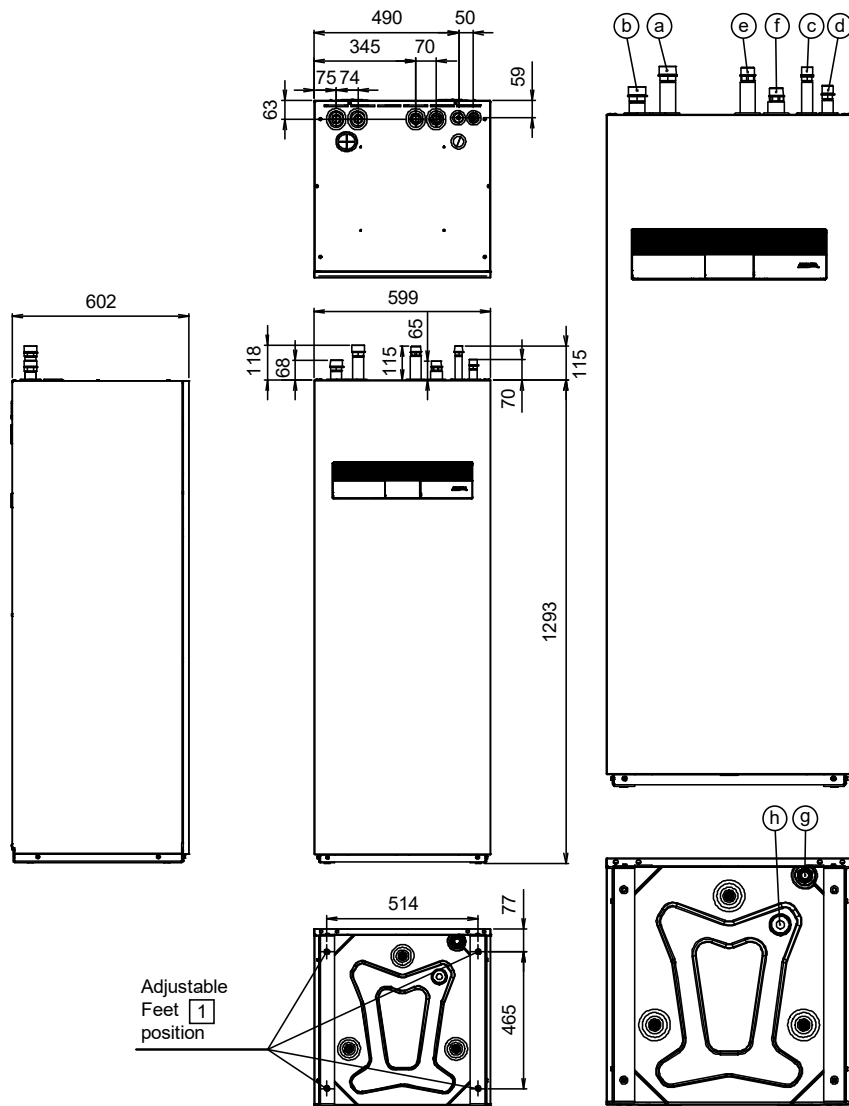


## 6. Dimensions

### 6.1 Indoor Unit

#### 6.1.1 WH-ADC0509L3E51



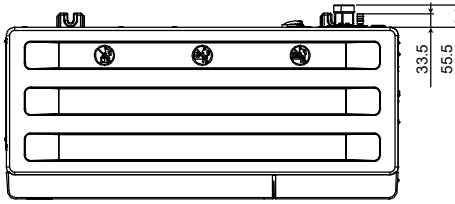
Adjustable Feet  1 position

Tube Connector	Function	Connector Size
(a)	Zone 1 Water Inlet (From Space Heating/Cooling)	R 1¼"
(b)	Zone 1 Water Outlet (To Space Heating/Cooling)	R 1¼"
(c)	Cold Water Inlet (Domestic Hot Water Tank)	R ¾"
(d)	Hot Water Outlet (Domestic Hot Water Tank)	R ¾"
(e)	Water Inlet (From Outdoor Unit)	R 1"
(f)	Water Outlet (To Outdoor Unit)	R 1"
(g)	Domestic Hot Water Tank Discharge (Drain Tap) Type: Ball Valve	Rc 1/2"
(h)	Drain Water Hole	---

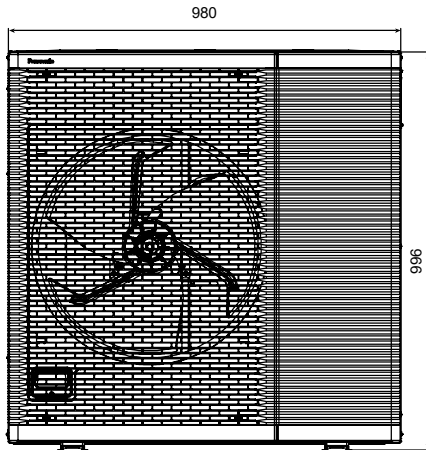
Unit: mm

## 6.2 Outdoor Unit

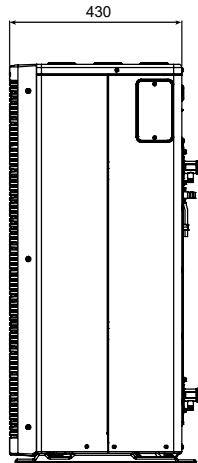
<Top View>



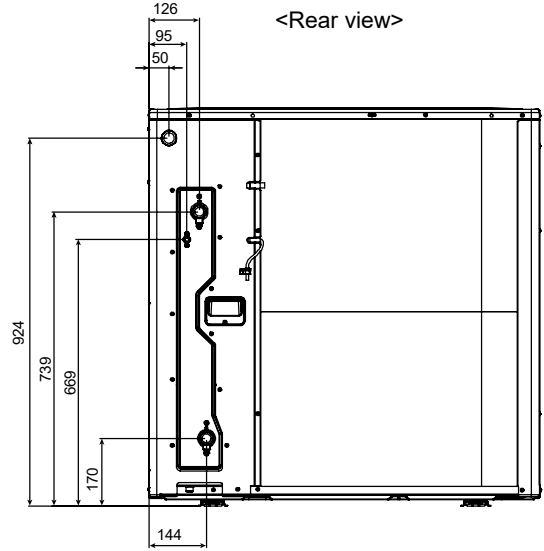
<Front View>



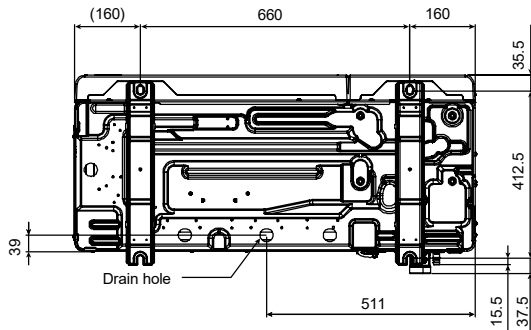
<Side View>



<Rear view>



<Back view>



Unit: mm