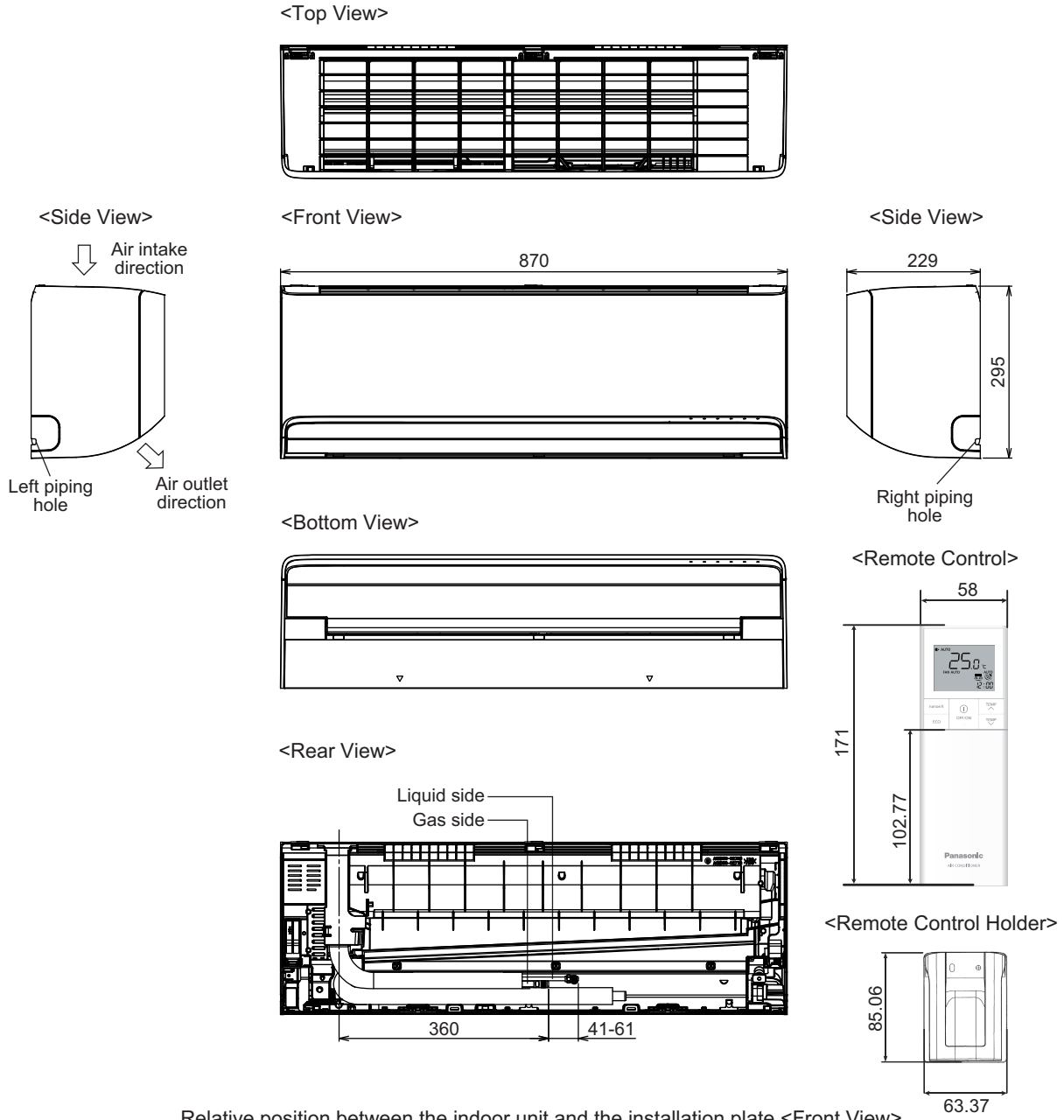


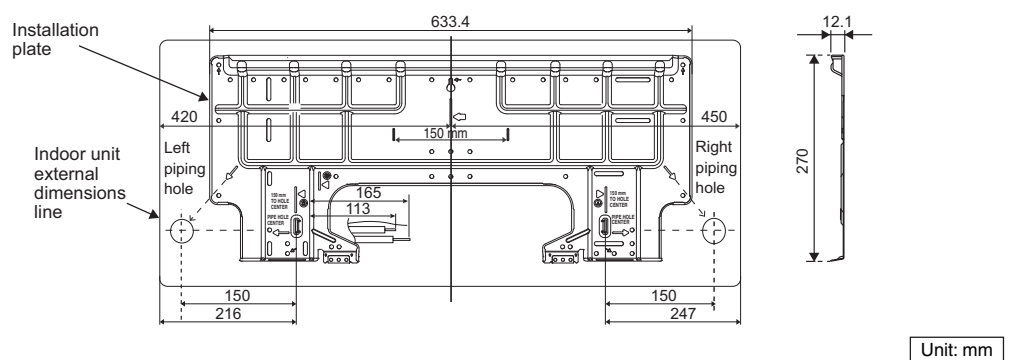
6. Dimensions

6.1 Indoor Unit

- 6.1.1 CS-Z20CKEW CS-Z25CKEW CS-Z35CKEW CS-Z42CKEW
 CS-XZ20CKEW CS-XZ25CKEW CS-XZ35CKEW
 CS-XZ20CKEW-H CS-XZ25CKEW-H CS-XZ35CKEW-H CS-XZ42CKEW-H



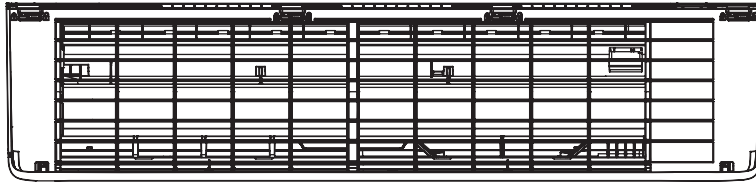
Relative position between the indoor unit and the installation plate <Front View>



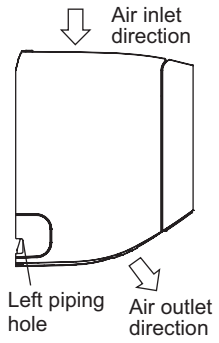
Unit: mm

6.1.2 CS-Z50CKEW CS-XZ50CKEW CS-Z71ZCKEW

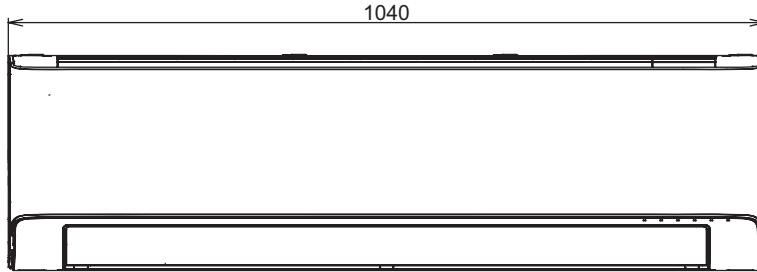
<Top View>



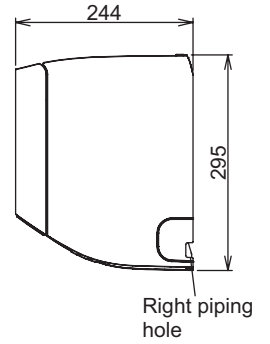
<Side View>



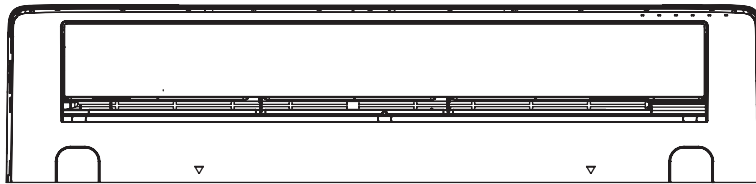
<Front View>



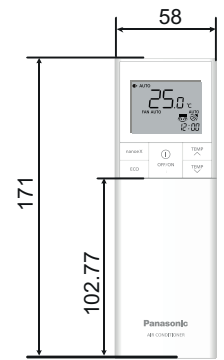
<Side View>



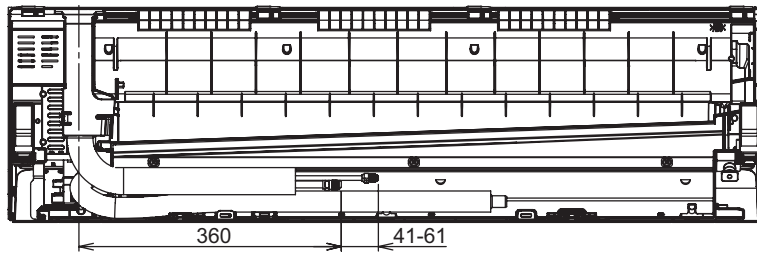
<Bottom View>



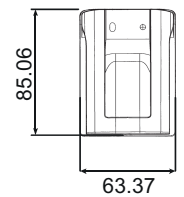
<Remote Control>



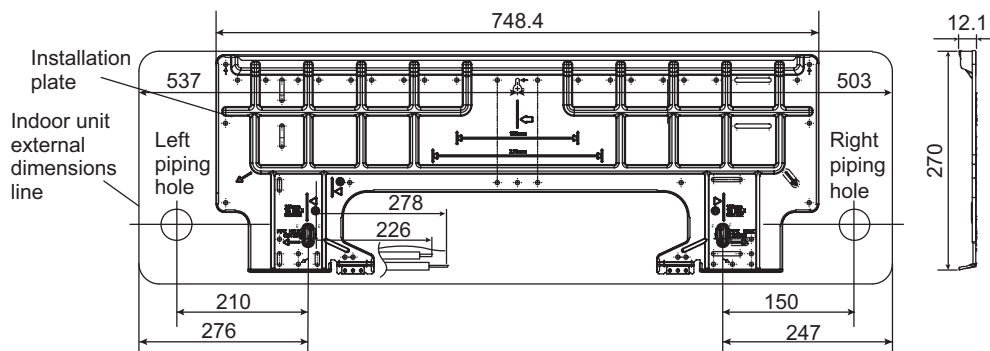
<Rear View>



<Remote Control Holder>



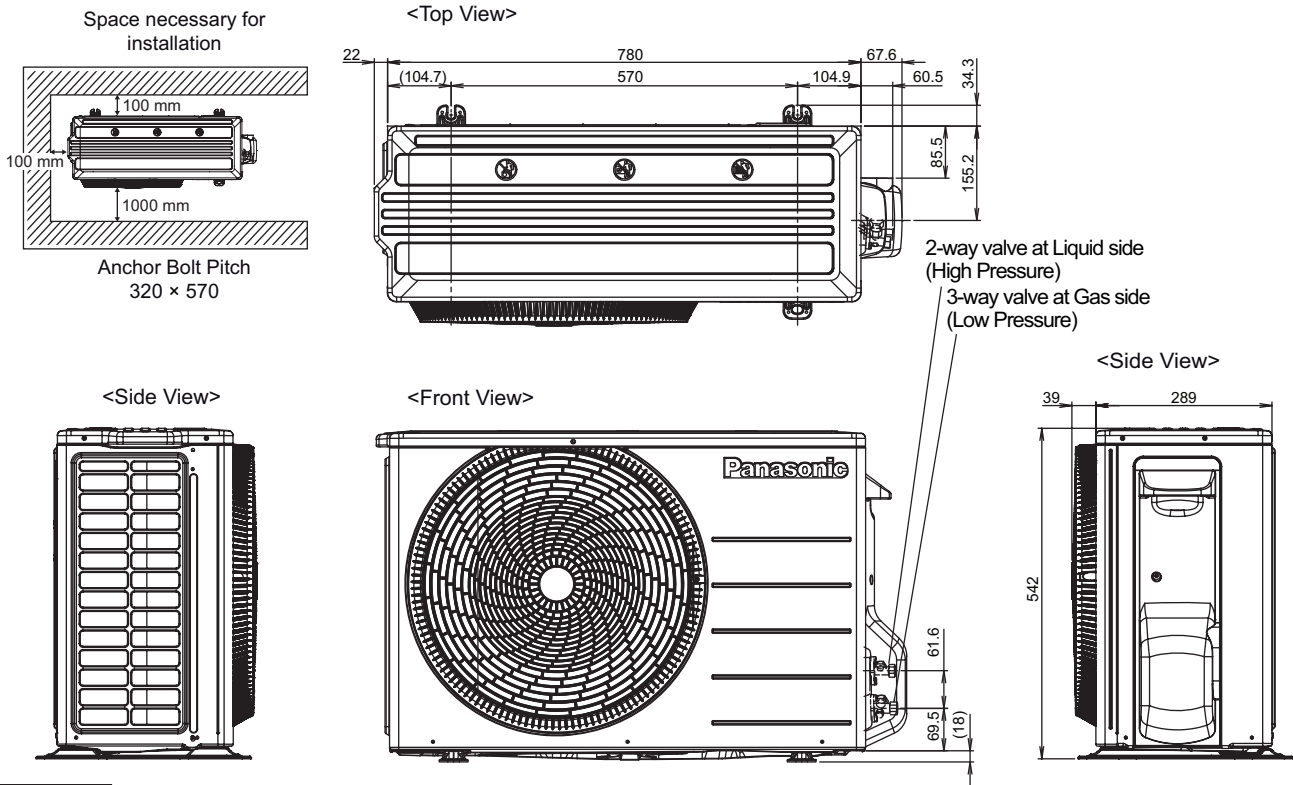
Relative position between the indoor unit and the installation plate <Front View>



Unit: mm

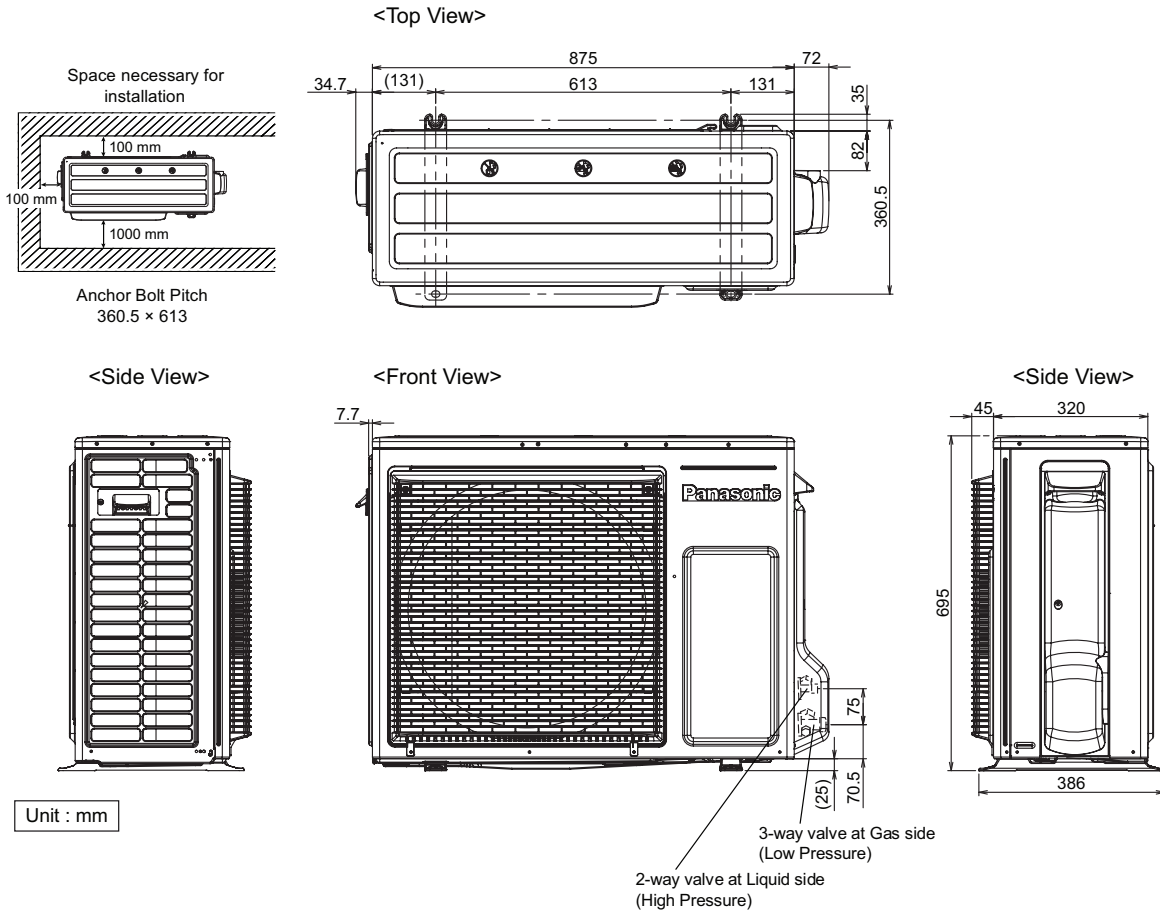
6.2 Outdoor Unit

6.2.1 CU-Z20CKE CU-Z25CKE CU-Z35CKE CU-Z42CKE



Unit: mm

6.2.2 CU-Z50CKE CU-Z71CKE



Unit : mm