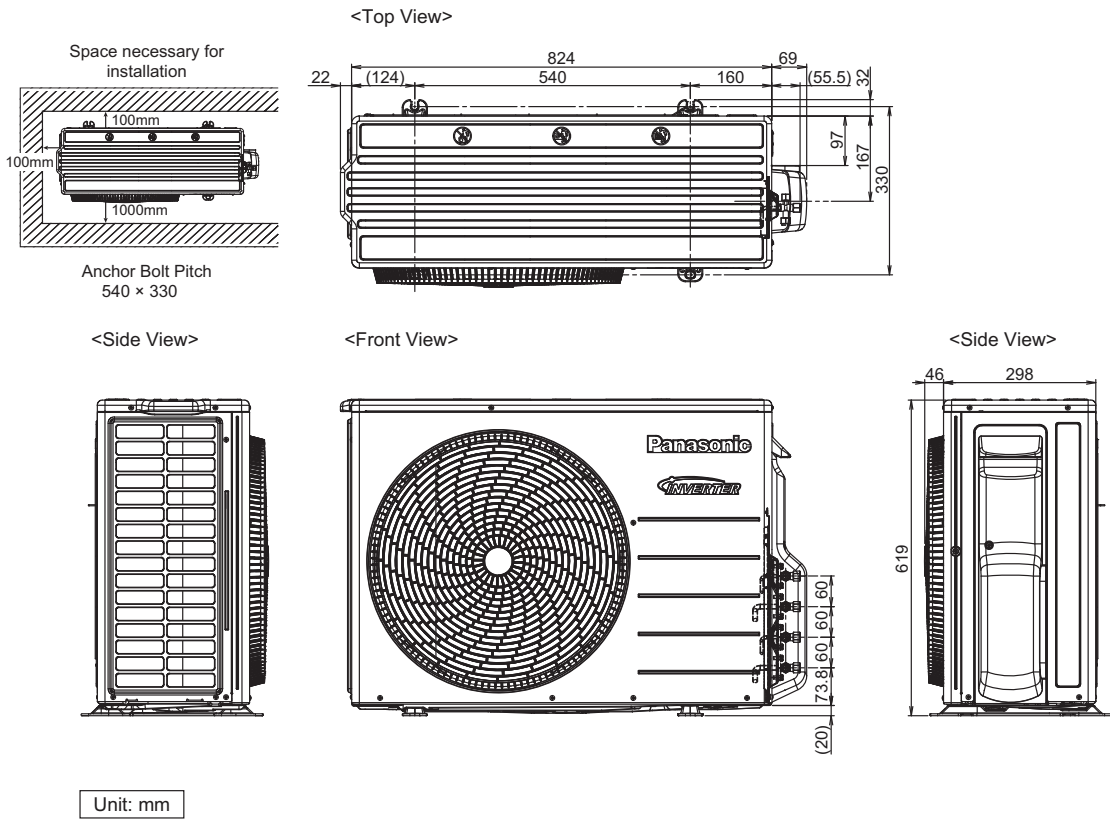
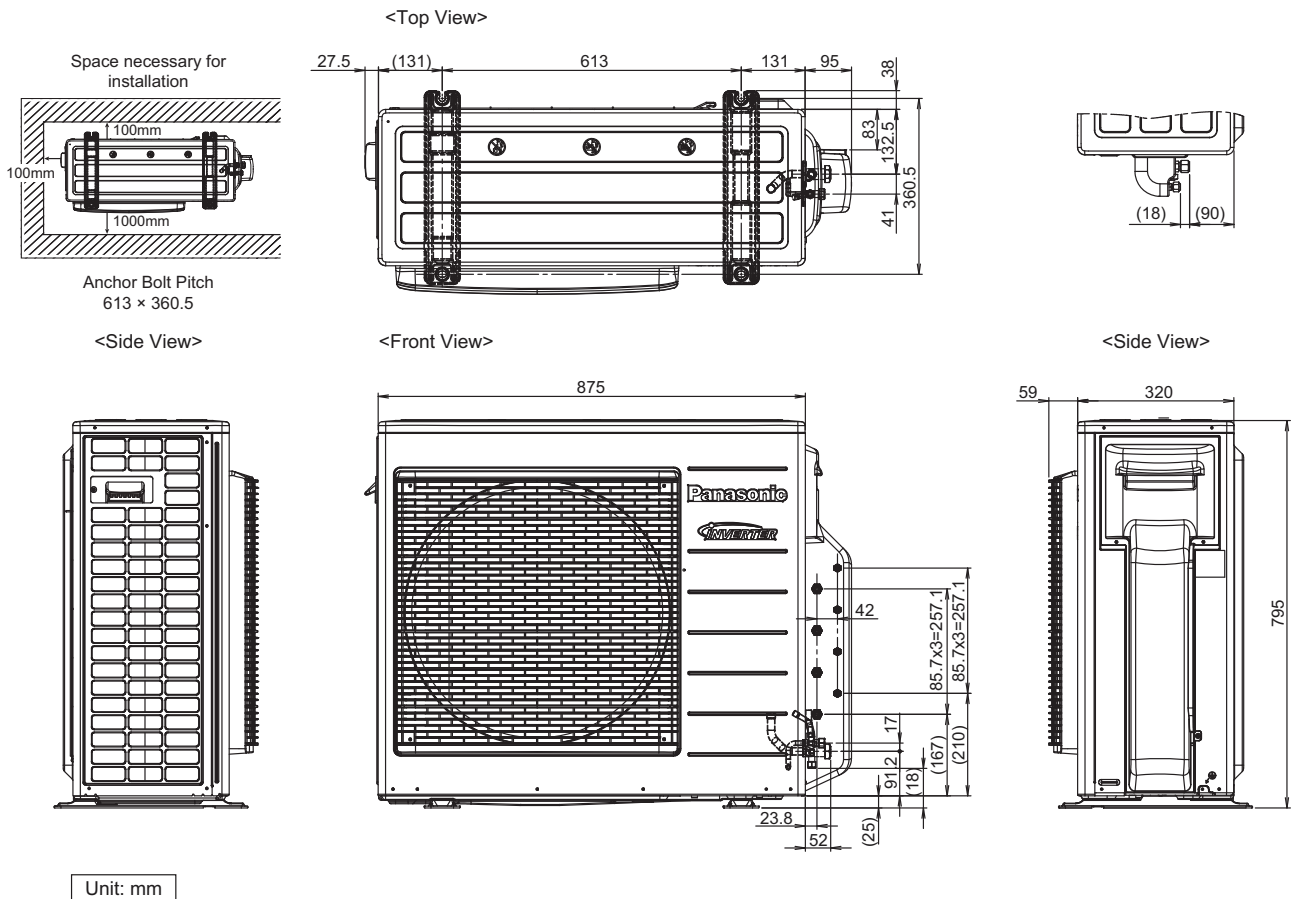


## 4. Dimensions

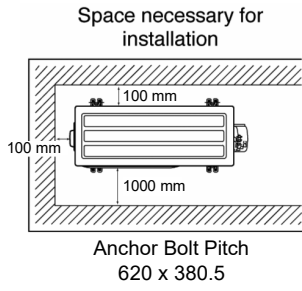
### 4.1 CU-2Z35CBE CU-2Z41CBE CU-2Z50CBE



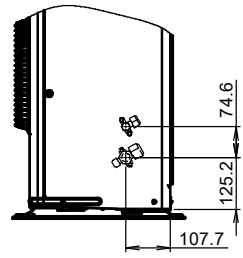
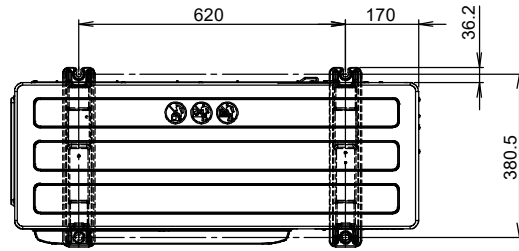
### 4.2 CU-3Z52CBE CU-3Z68CE CU-4Z68CBE



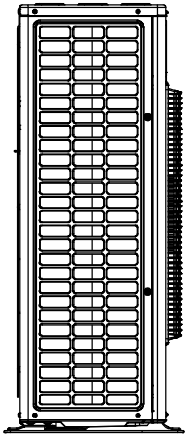
### 4.3 CU-4Z80CBE CU-5Z90CBE



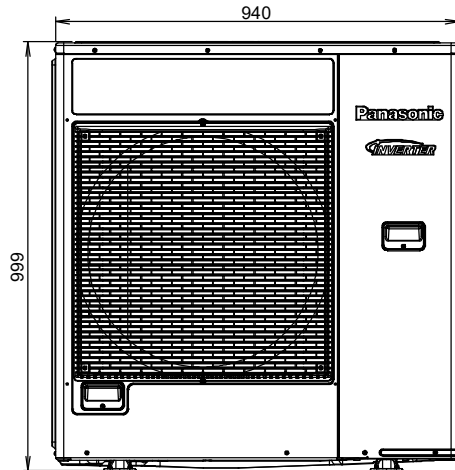
<Top View>



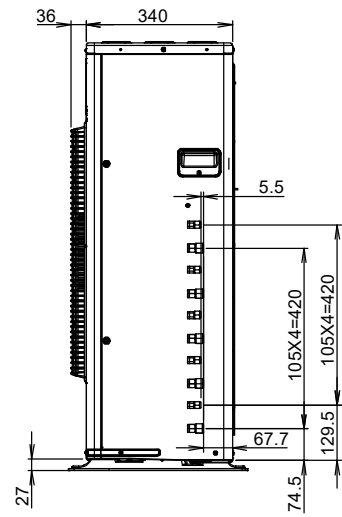
<Side View>



<Front View>



<Side View>



Unit: mm