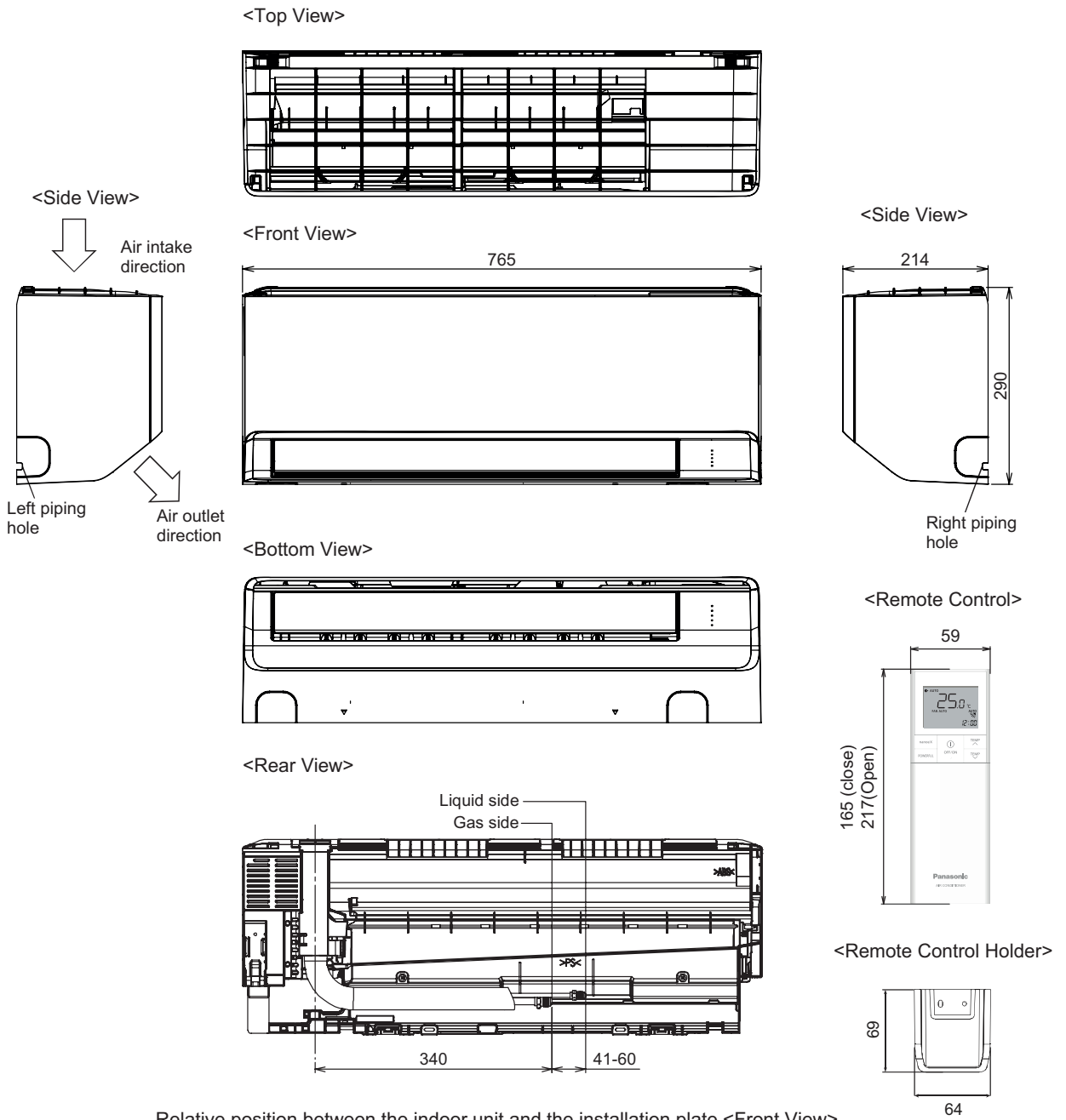


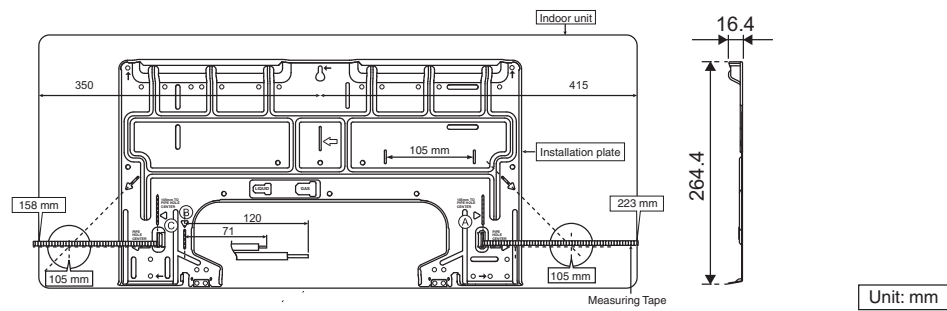
# 6. Dimensions

## 6.1 Indoor Unit

### 6.1.1 CS-TZ20CKEW CS-TZ25CKEW CS-TZ35CKEW CS-TZ42CKEW CS-TZ50CKEW CS-RZ25CKEW CS-RZ35CKEW CS-RZ50CKEW

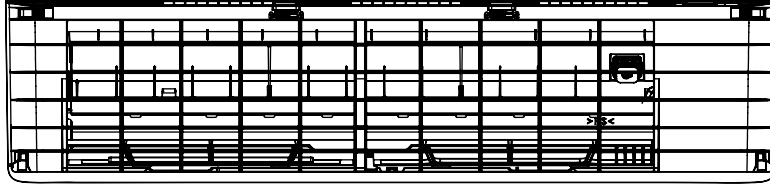


Relative position between the indoor unit and the installation plate <Front View>

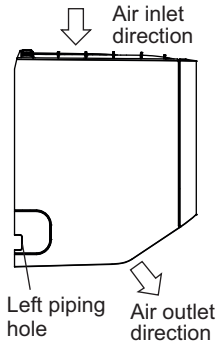


## 6.1.2 CS-TZ60CKEW CS-TZ71CKEW

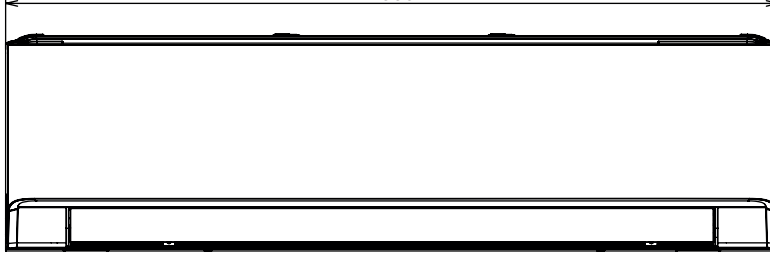
<Top View>



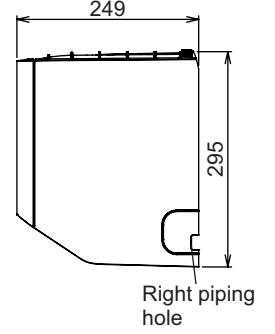
<Side View>



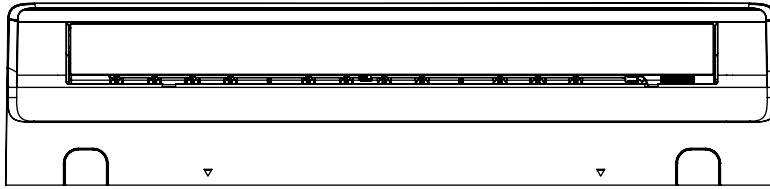
<Front View>



<Side View>



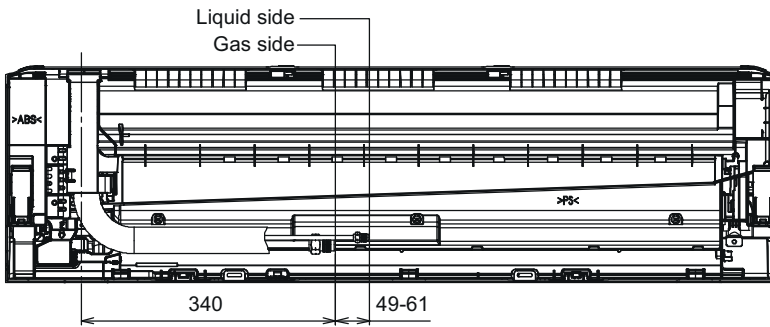
<Bottom View>



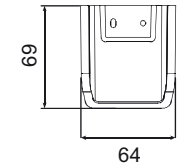
<Remote Control>



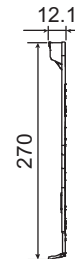
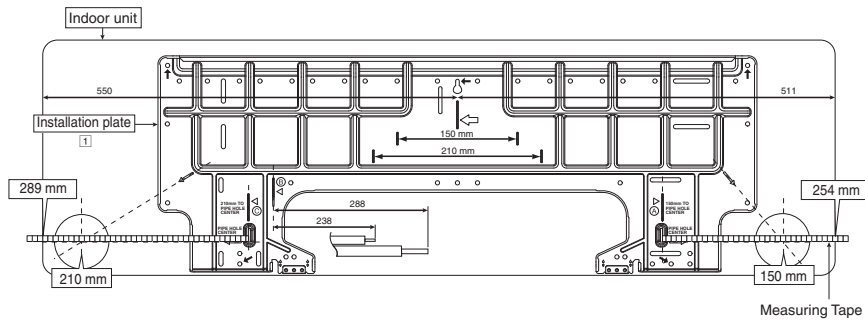
<Rear View>



<Remote Control Holder>



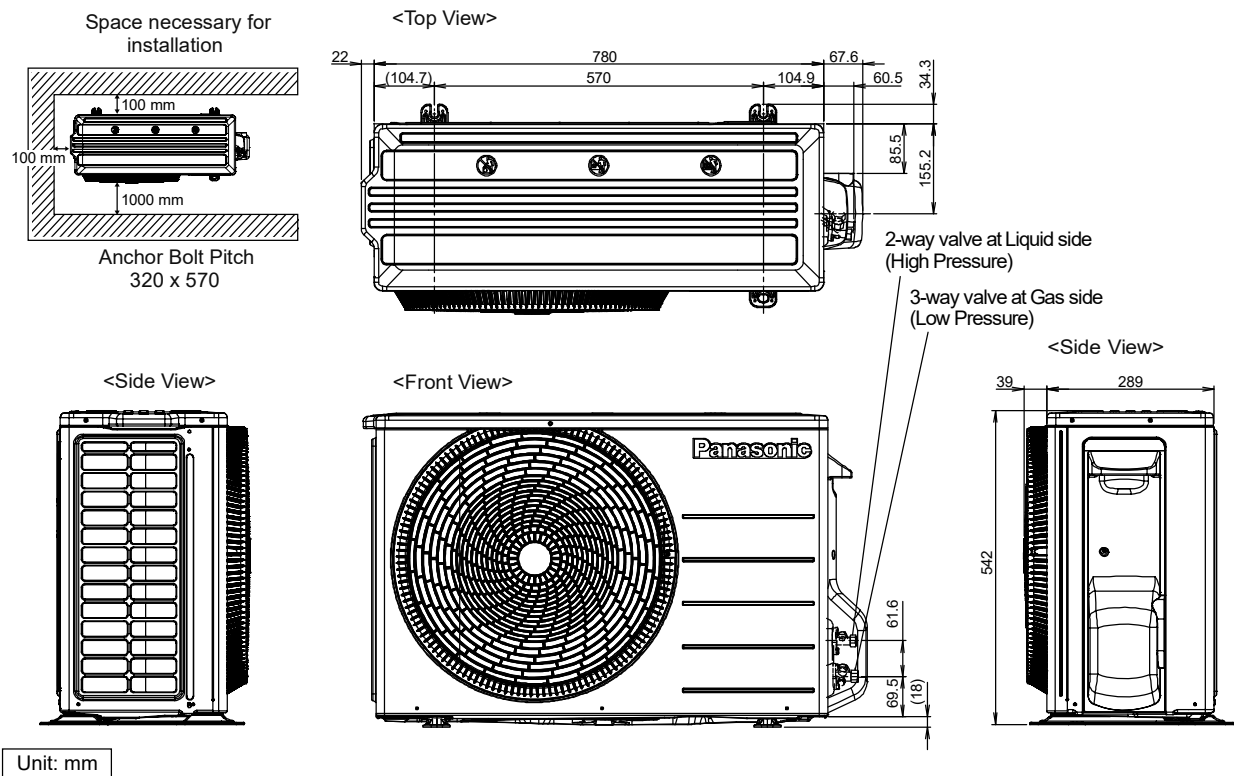
Relative position between the indoor unit and the installation plate <Front View>



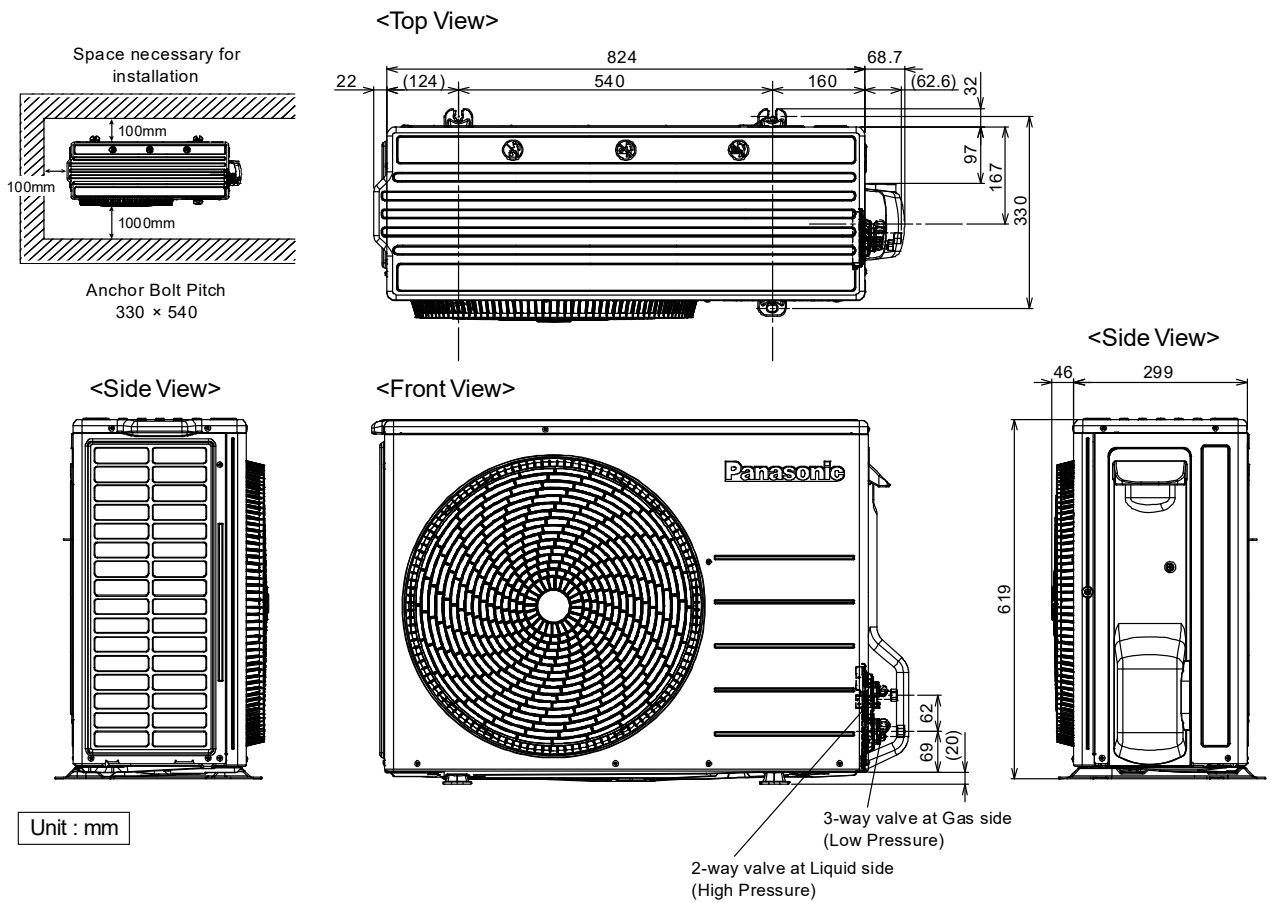
Unit: mm

## 6.2 Outdoor Unit

### 6.2.1 CU-TZ20CKE CU-TZ25CKE CU-RZ25CKE



### 6.2.2 CU-TZ50CKE CU-TZ60CKE CU-RZ50CKE



## 6.2.3 CU-TZ71CKE

