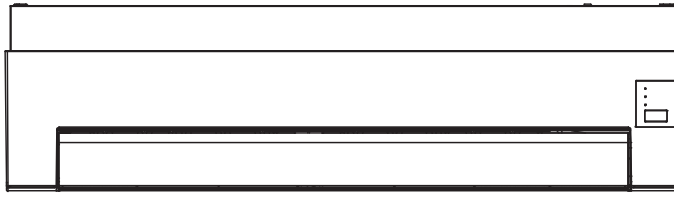


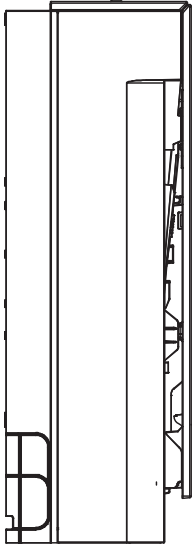
6. Dimensions

6.1 Indoor Unit

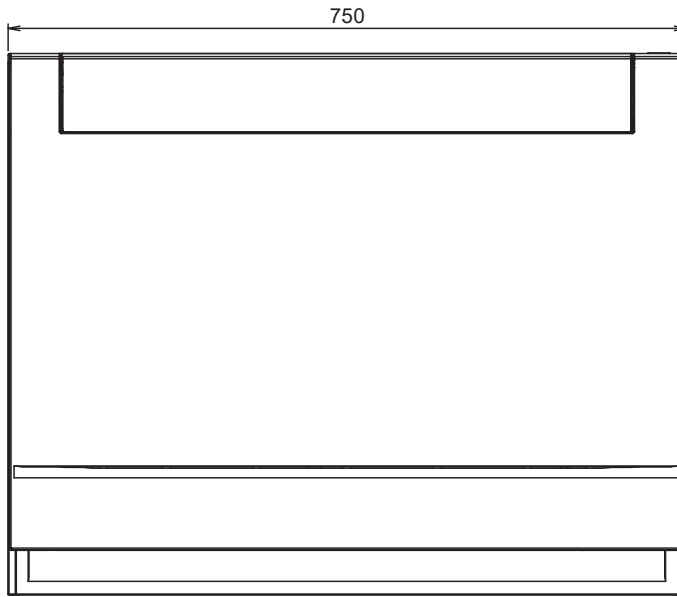
<Top View>



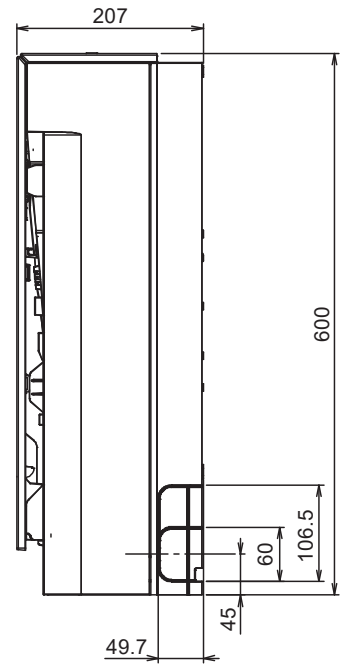
<Side View>



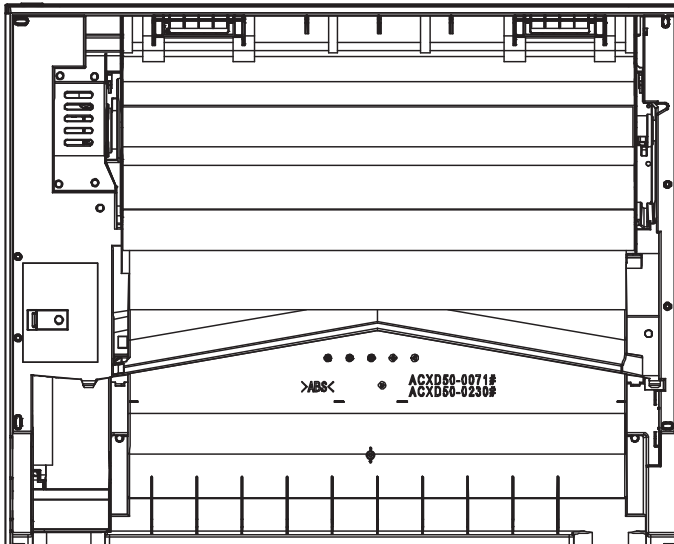
<Front View>



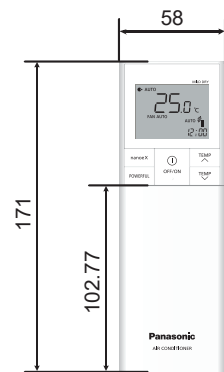
<Side View>



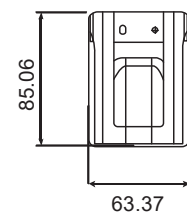
<Back View>



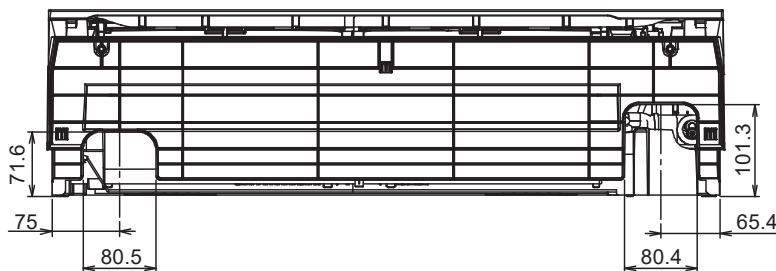
<Remote Control>



<Remote Control Holder>



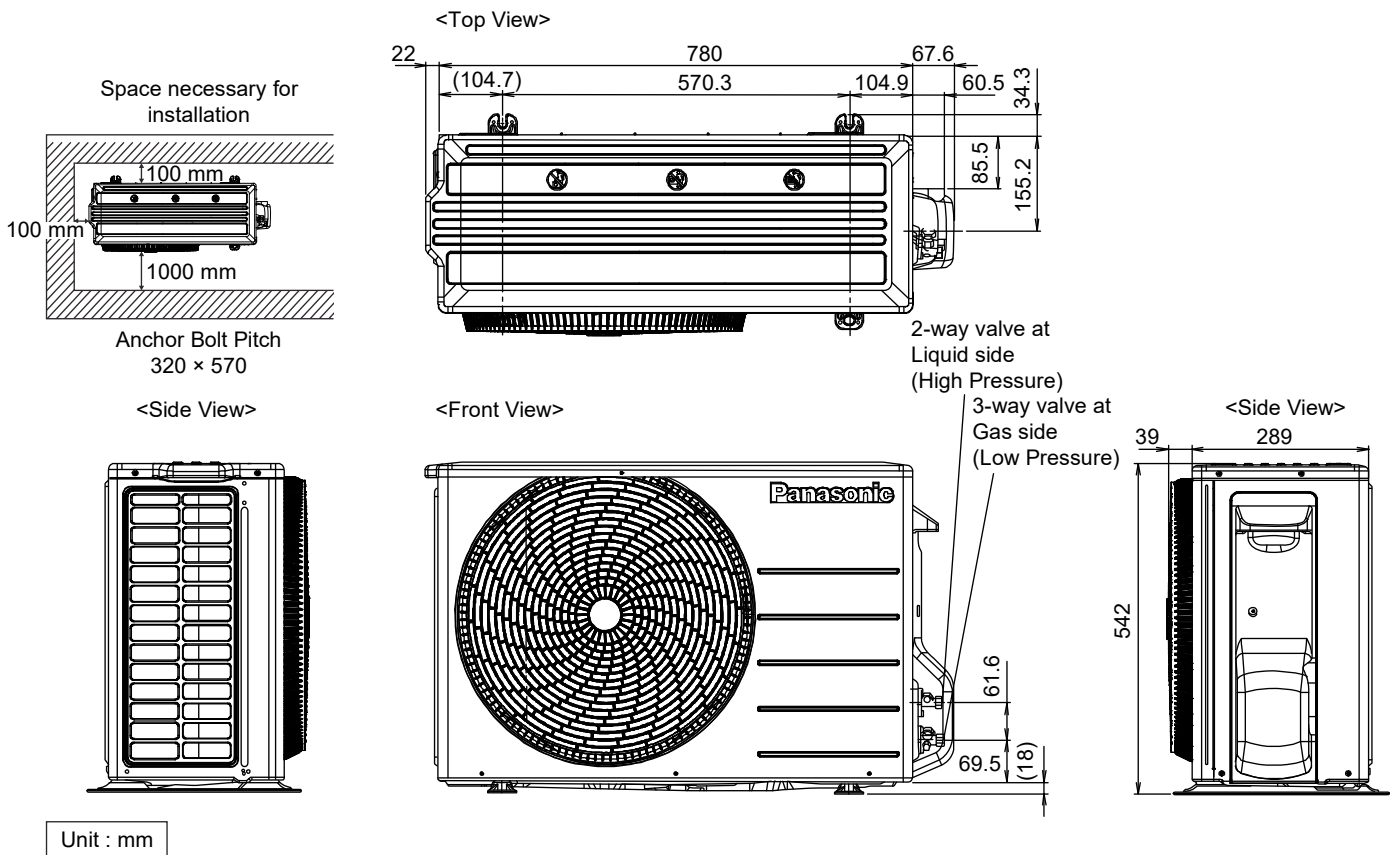
<Bottom View>



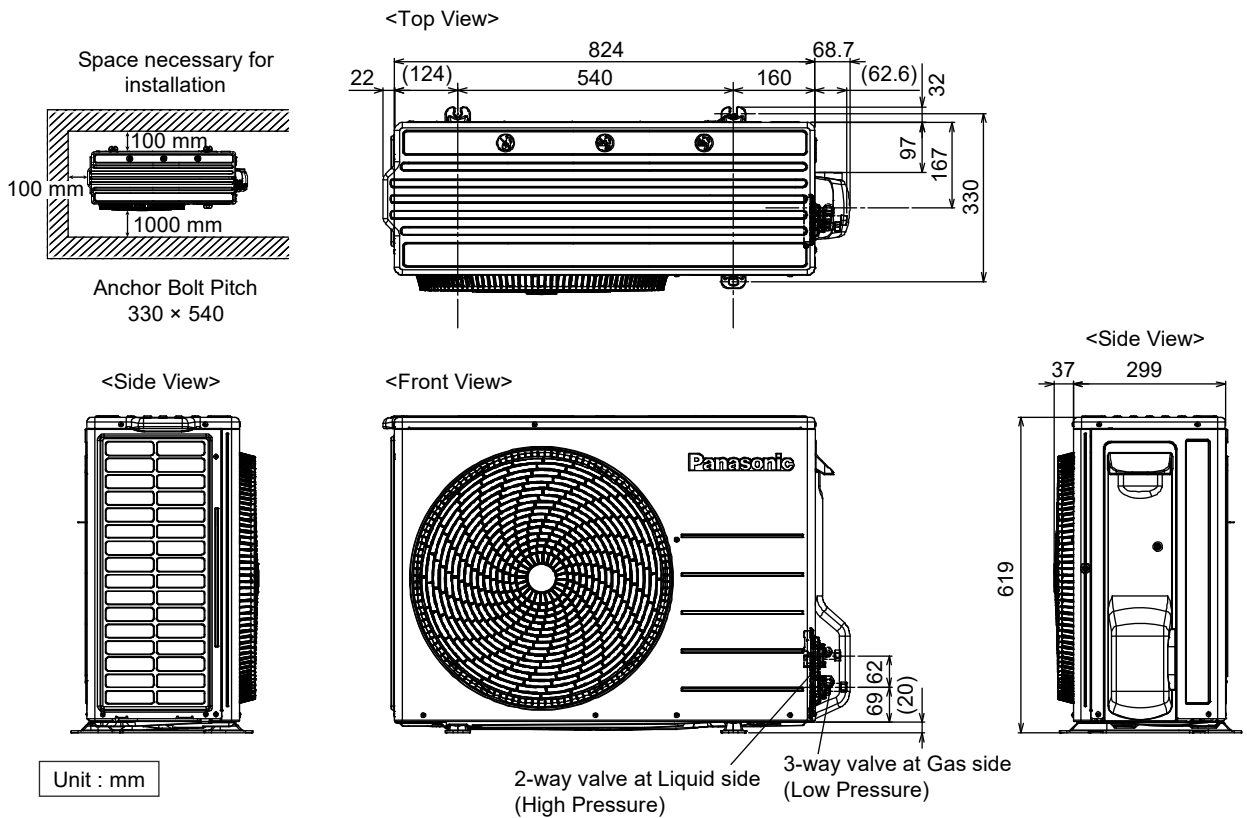
Unit : mm

6.2 Outdoor Unit

6.2.1 CU-Z25CBEA



6.2.2 CU-Z35CBEA



6.2.3 CU-Z50CBEA

